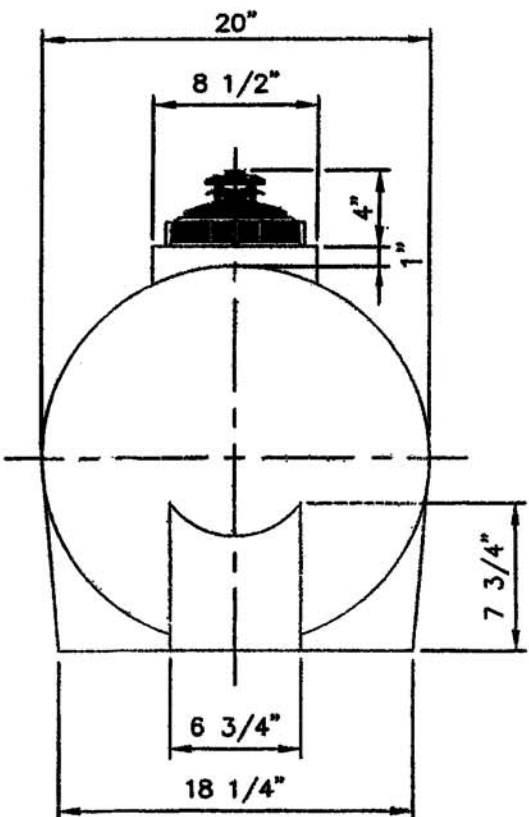
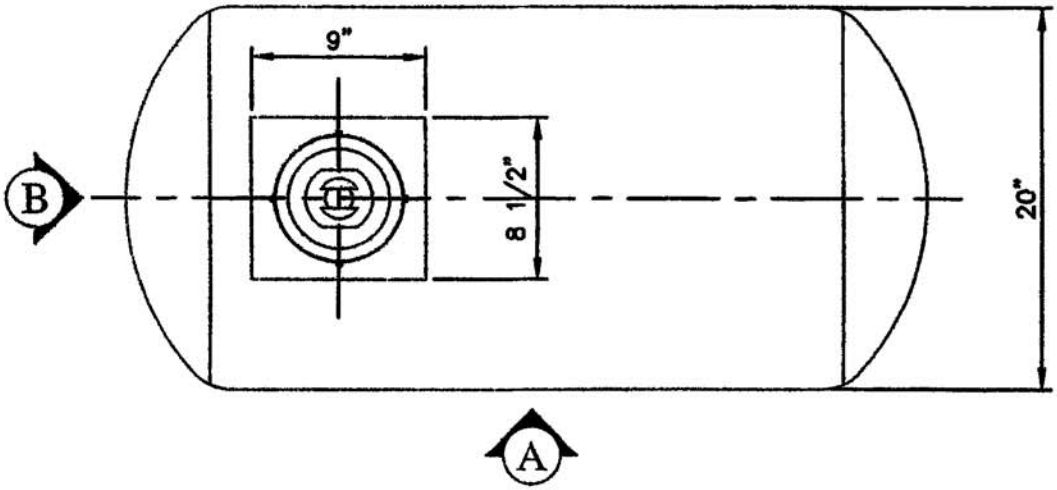


VIEW A



VIEW B



NOTE:
ALL DIMENSIONS ARE IN INCHES UNLESS OTHERWISE SPECIFIED

NORWESCO CANADA		
TITLE: 40 IMPERIAL GALLON CHEM LEG TANK		
DWG NO:		REV
SCALE: 1:10		