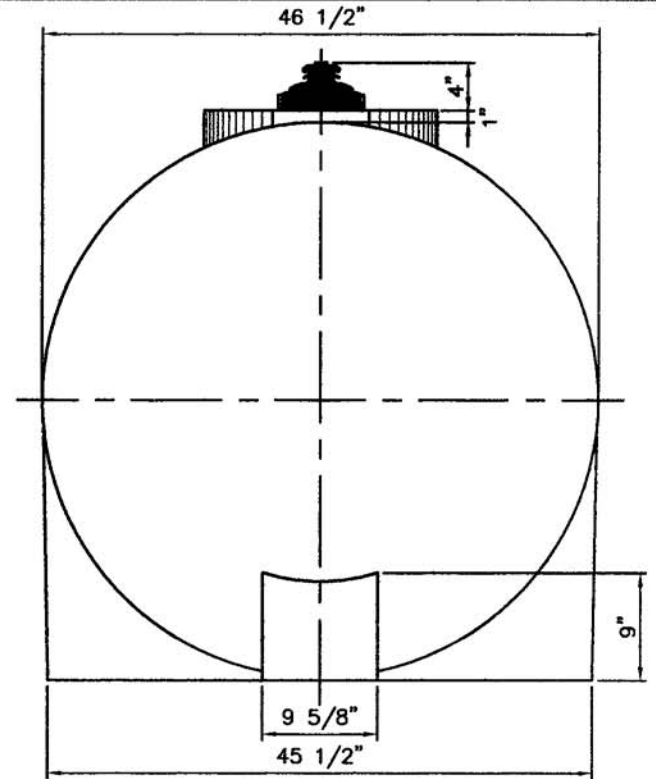
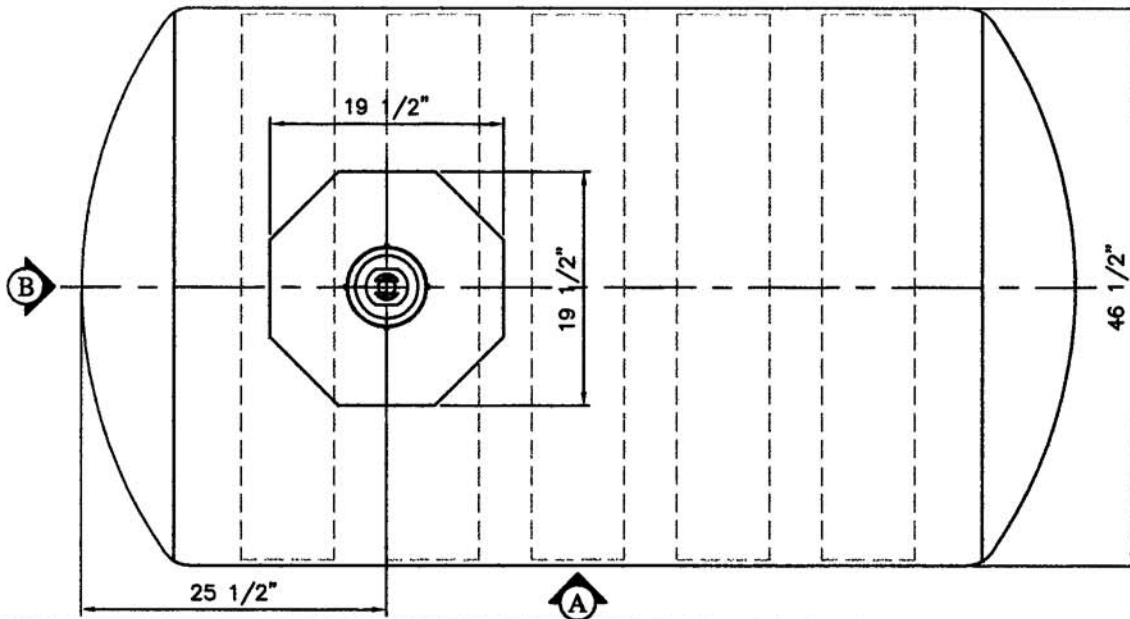


VIEW A



VIEW B



NOTE:
ALL DIMENSIONS ARE IN INCHES UNLESS OTHERWISE SPECIFIED

		
TITLE: 500 IMPERIAL GALLON CHEMICAL LEG TANK		
DWG NO:		REV
SCALE: 1:16		