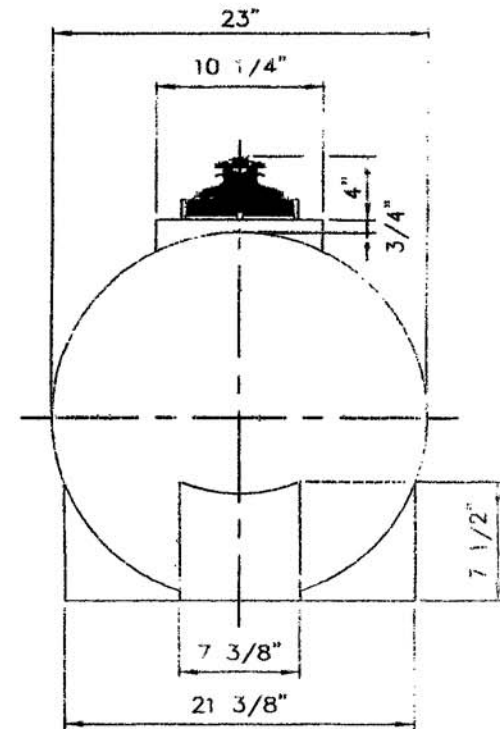
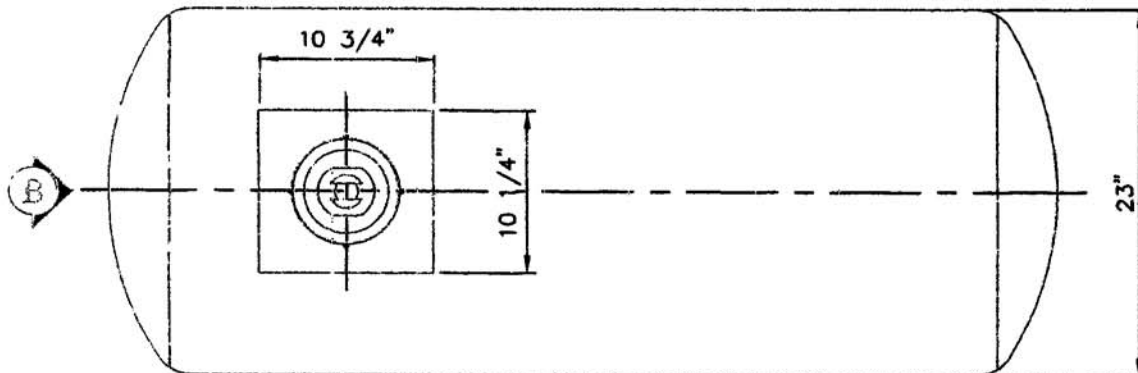


VIEW A



VIEW B



VIEW C

**NOTE:**  
ALL DIMENSIONS ARE IN INCHES UNLESS OTHERWISE SPECIFIED

<b>TITLE:</b> <i>80 IMPERIAL GALLON          CHEM LEG TANK</i>		
<b>DWG NO:</b>		<b>REV</b>
<b>SCALE:</b>	1:12	