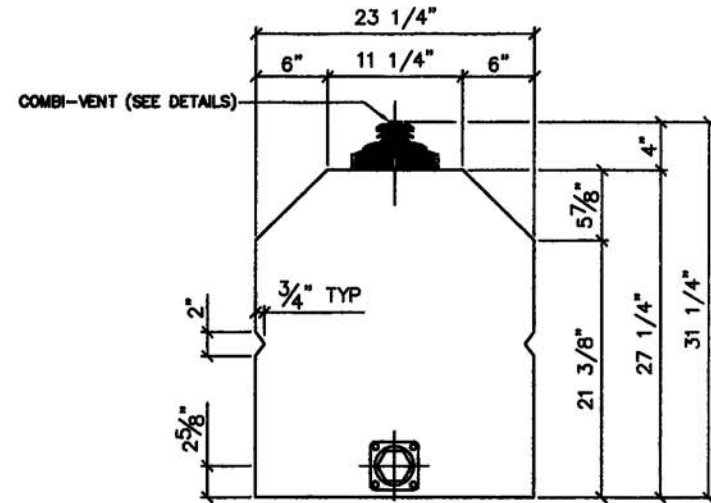
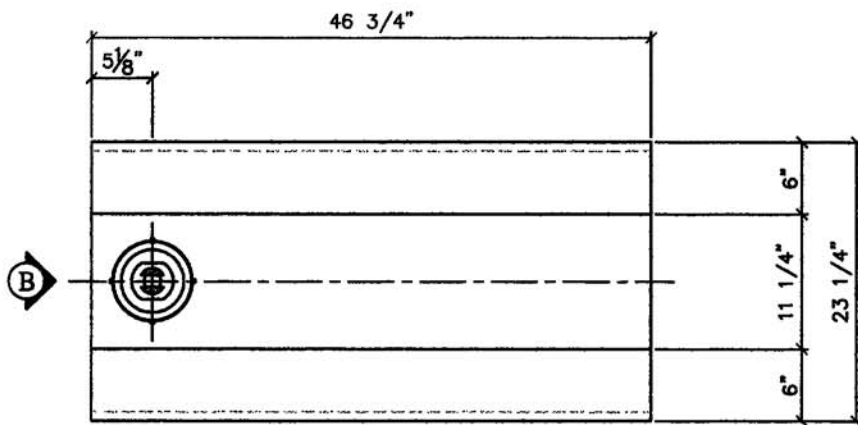


VIEW A



VIEW B



**NOTE:**  
ALL DIMENSIONS ARE IN INCHES UNLESS OTHERWISE SPECIFIED



**90 IMPERIAL GALLON  
CHEMICAL TANK**

DWG NO:		REV
SCALE:	1:16	