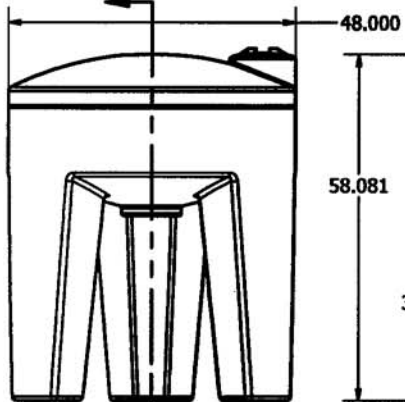


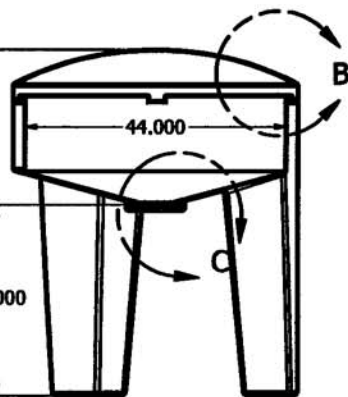
A



48.000

58.081

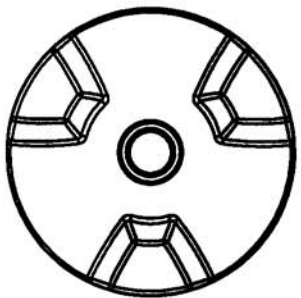
32.000



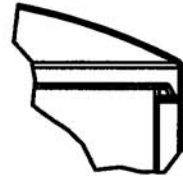
B

C

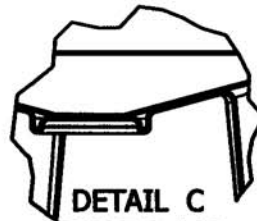
SECTION A-A  
SCALE 0.05 : 1



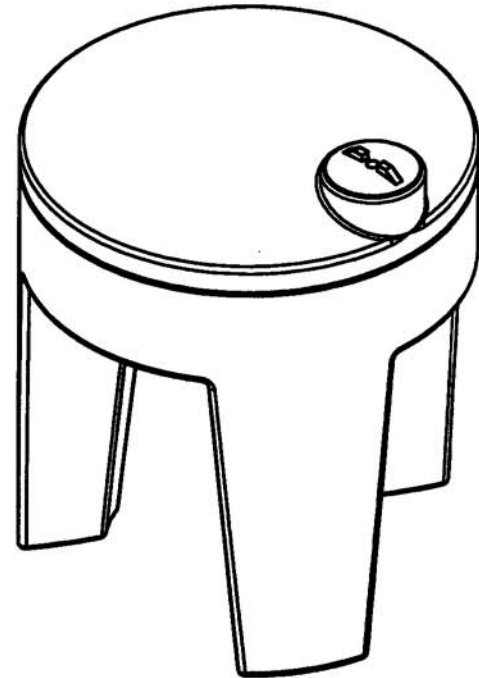
A




DETAIL B  
SCALE 1 / 10



DETAIL C  
SCALE 1 / 10



DRAWN Todd Bolzer	9/17/2008			
CHECKED				
QA		<p>100 IMPERIAL GALLON DOUBLE WALL TANK W/STAND</p>		
MFG				
APPROVED				
		SIZE <b>B</b>	DWG NO <b>100 Imp Assembly</b>	REV C
SCALE: 1/16		SHEET 1 OF 1		