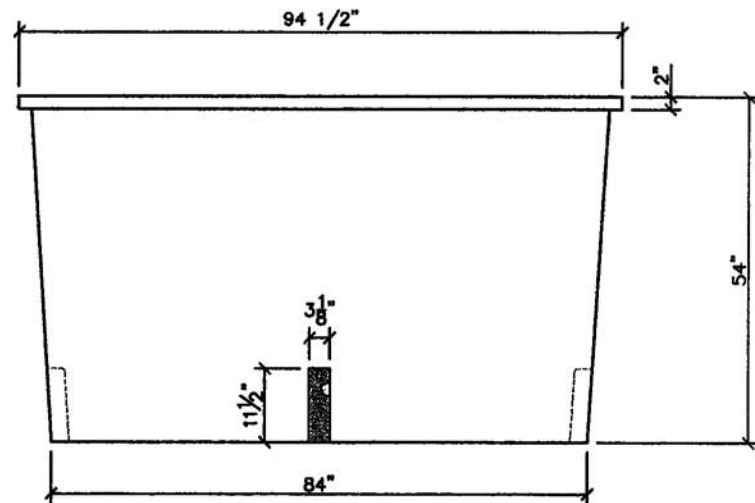
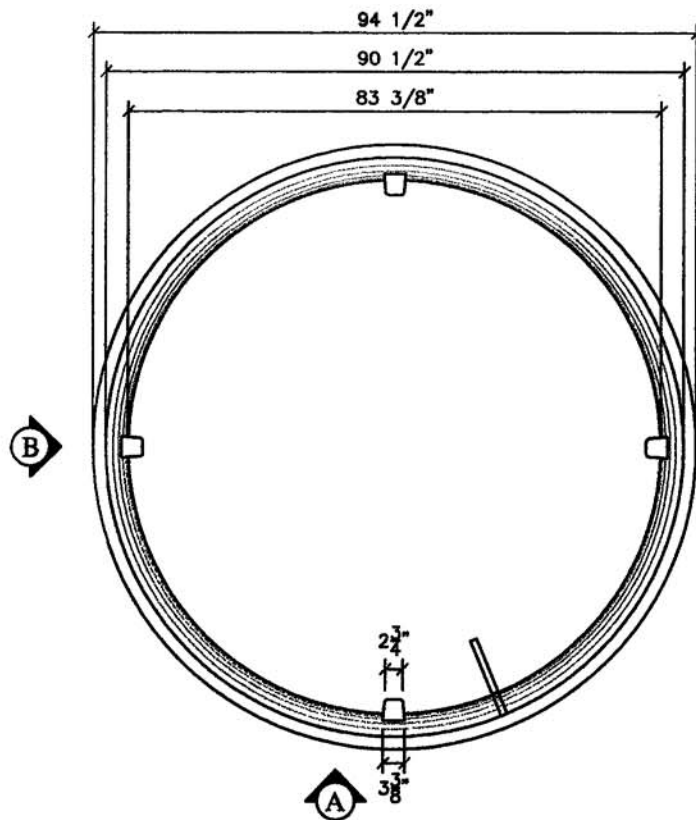


VIEW A



VIEW B



NOTE:
ALL DIMENSIONS ARE IN INCHES UNLESS
OTHERWISE SPECIFIED



TITLE: **1100 IMPERIAL GALLON
EVAPORATION TRAY**

DWG NO:		REV
SCALE: 1:30		