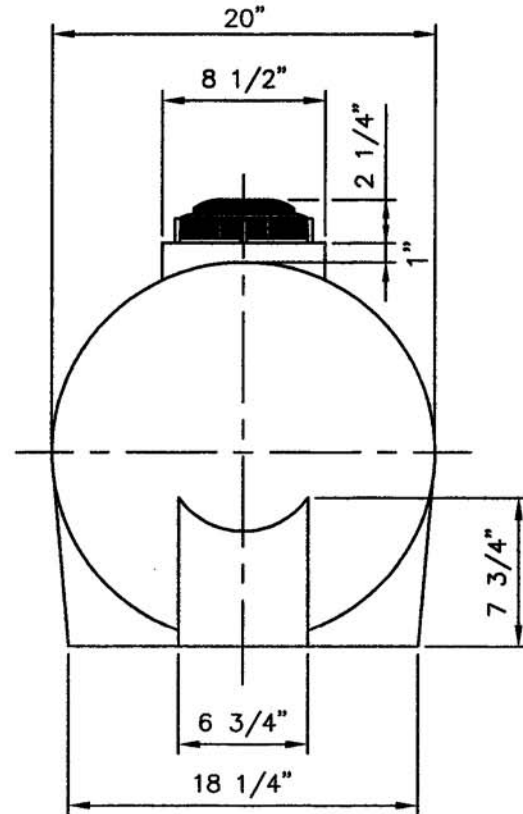
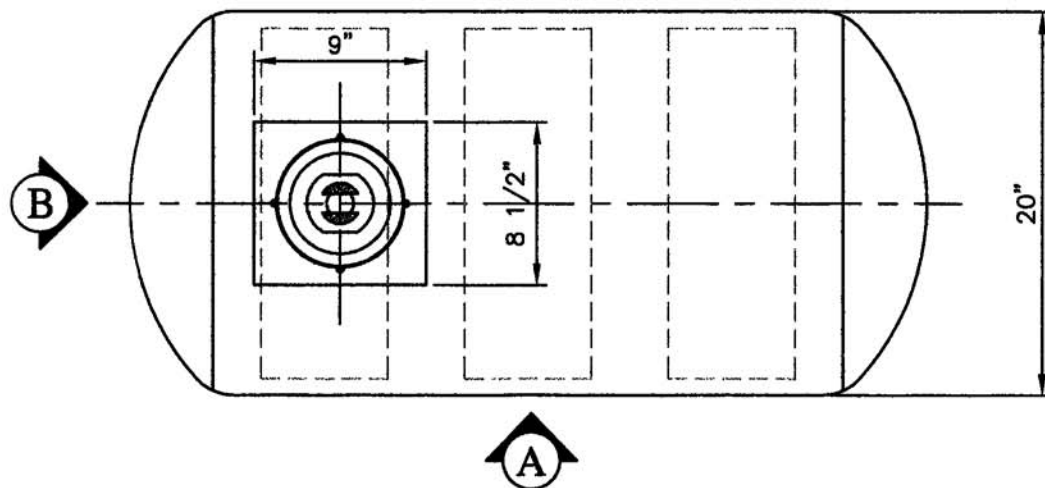


**VIEW A**



**VIEW B**

**NOTE:**  
ALL DIMENSIONS ARE IN INCHES UNLESS OTHERWISE SPECIFIED



<b>NORWESCO</b> CANADA™		
<b>40 IMPERIAL GALLON</b> <b>LEG TANK</b>		
DWG NO:		REV
SCALE:	1:10	