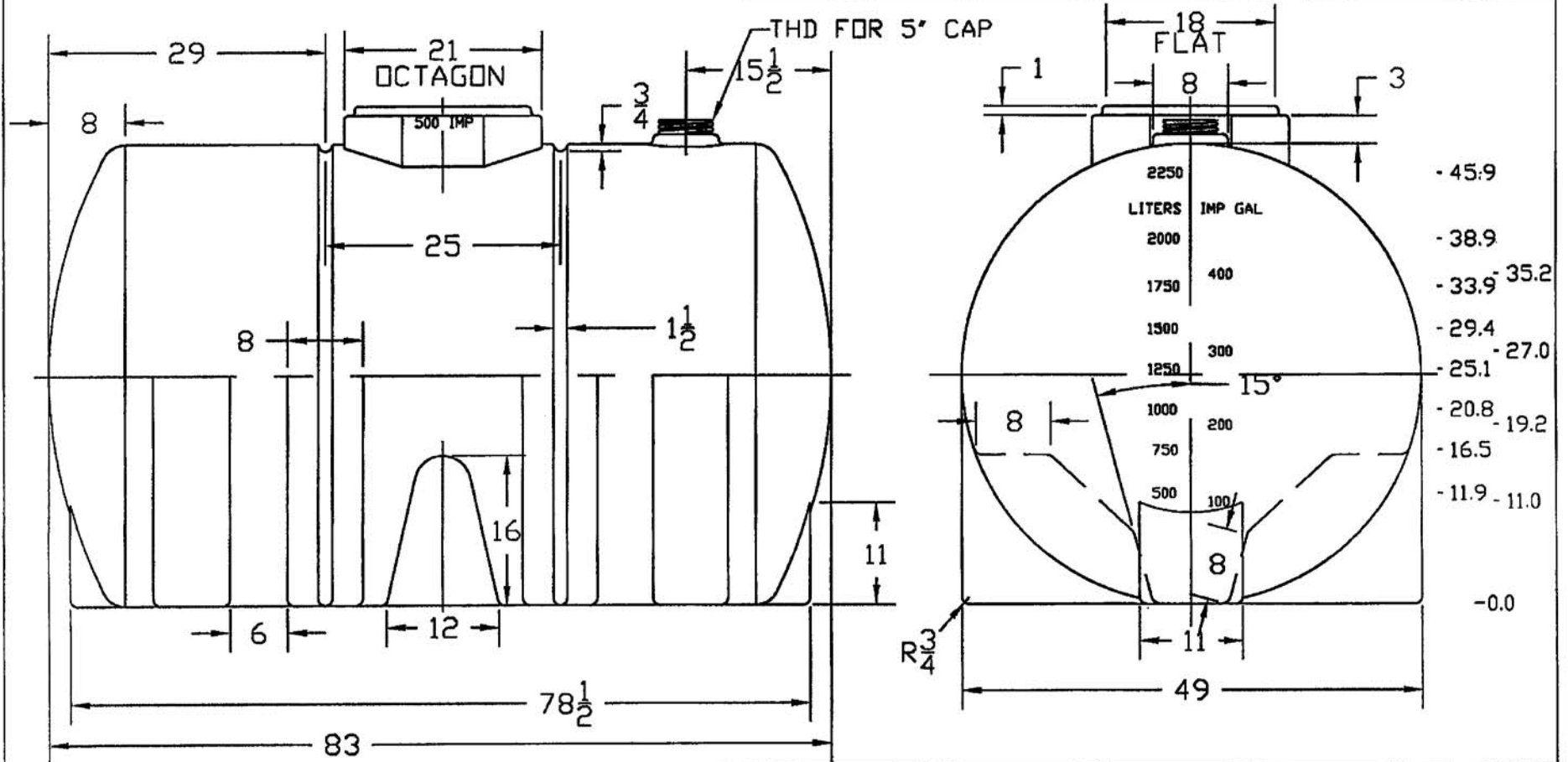


REVISIONS				
ZONE	REV	DESCRIPTION	DATE	APPROVED



JTP 07DEC00		NORWESCO CANADA		
		500 IMPERIAL GALLON HORIZONTAL LEG TANK		
SIZE A	FSCM NO.	DWG NO. 41393	REV	
SCALE 1/16		SHEET		