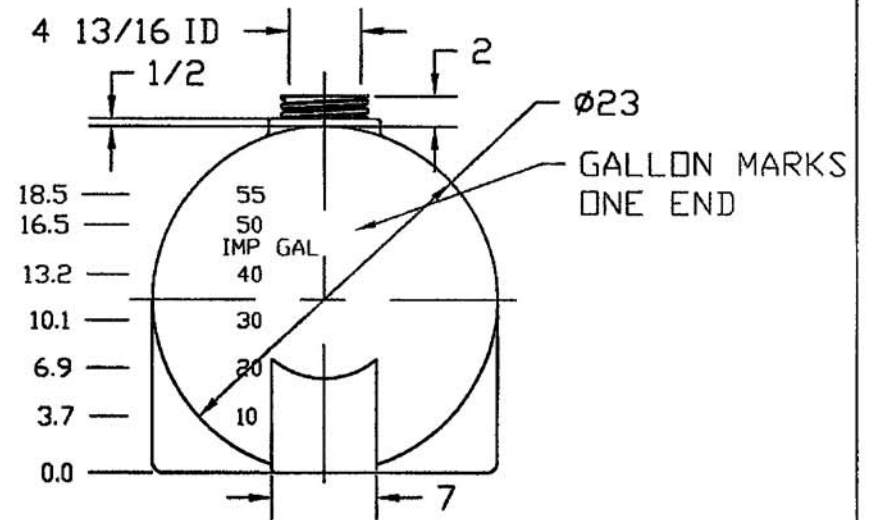
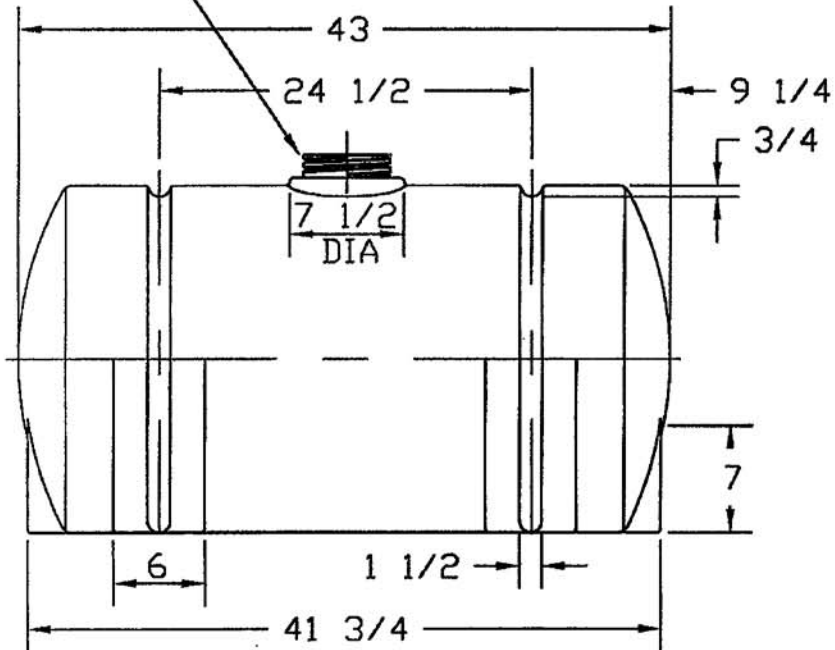


REVISIONS				
ZONE	REV	DESCRIPTION	DATE	APPROVED

ACME THREAD
 5-3/4 MAJOR DIA
 5-3/8 MINOR DIA
 9/16 PITCH



JTP 11FEB03		NORWESCO CANADA		
		55 IMPERIAL GALLON HORIZONTAL TANK		
SIZE A	FSCM NO.	DWG NO. 41939	REV	
SCALE 1/12		SHEET		