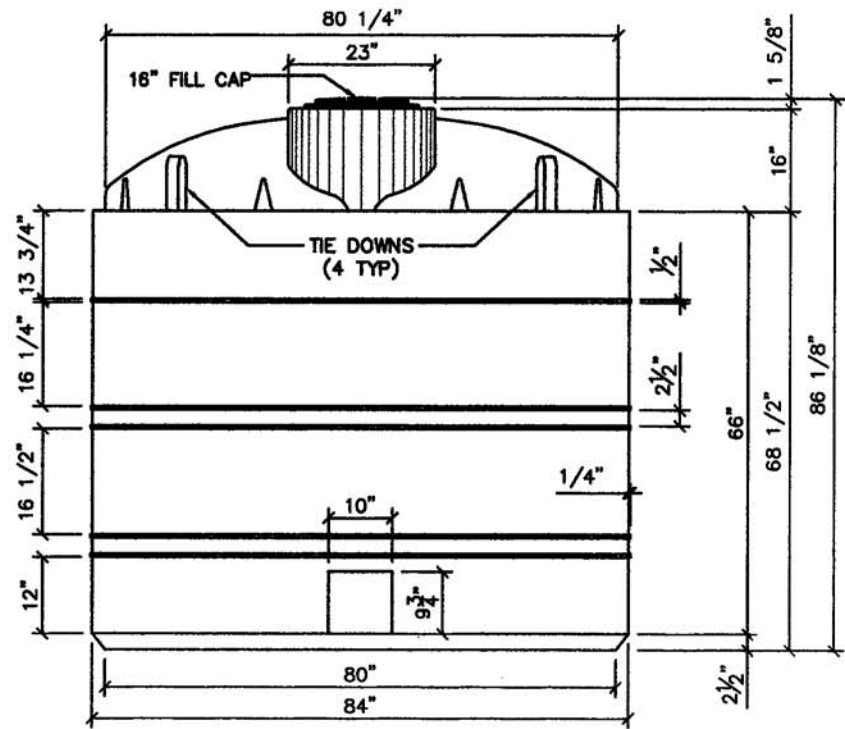
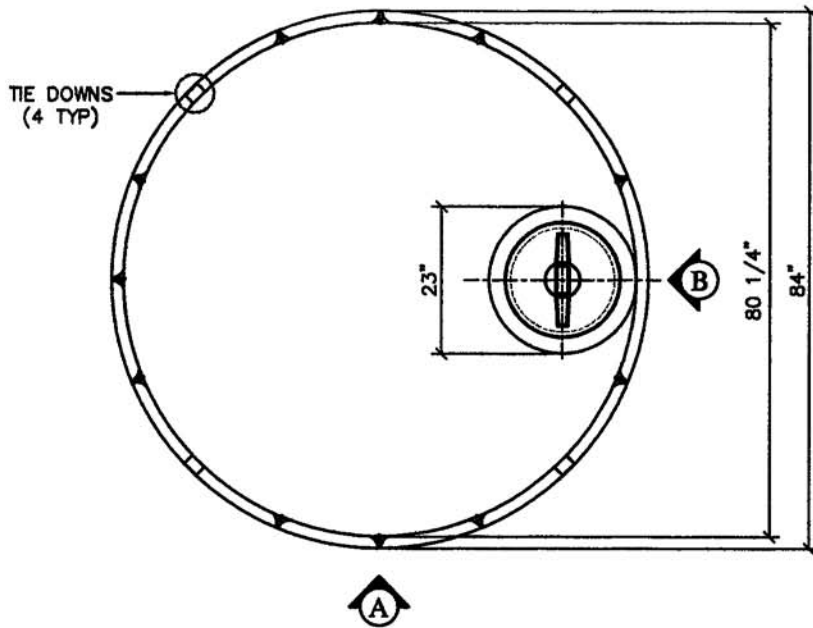


VIEW A



VIEW B



NOTE:
ALL DIMENSIONS ARE IN INCHES UNLESS OTHERWISE SPECIFIED



**1550 IMPERIAL GALLON
STORAGE TANK**

DWG NO:		REV
SCALE: 1:30		