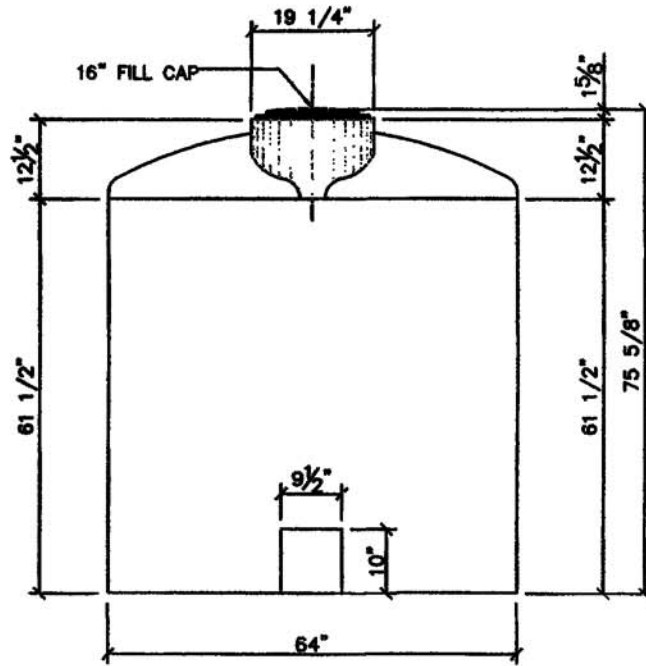
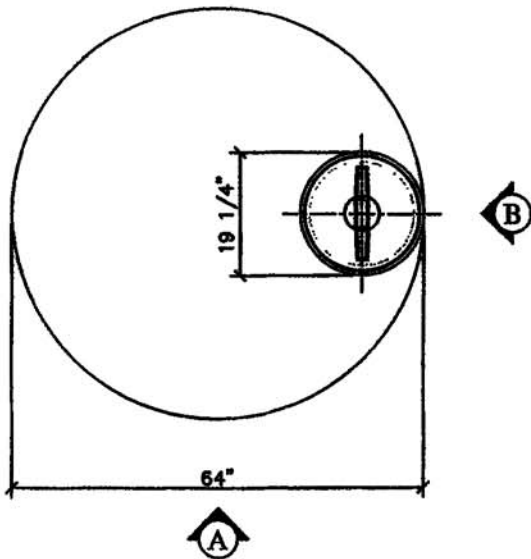



**VIEW A**



**VIEW B**



NOTE:  
ALL DIMENSIONS ARE IN INCHES UNLESS OTHERWISE SPECIFIED

		
<b>800 IMPERIAL GALLON STORAGE TANK</b>		
DWG NO:		REV
SCALE: 1:30		